

## Linearizer X-Band



### General

Astyx Linearizers are used in combination with TWTAs (Travelling Wave Tube Amplifiers) or SSPAs (Solid State Power Amplifiers) in order to improve the linear power range of these amplifiers by minimization of phase and amplitude distortions.

### Applications

- High power requirements
- Multi-carrier systems
- Ground stations HPAs (High Power Amplifiers)
- Space systems

### Major Features

- Individual fine-tuned phase and amplitude curves
- Inclusive preamplifier, adjustable attenuator and output driver stage on request
- Small size and low DC-power consumption

### Technical Properties

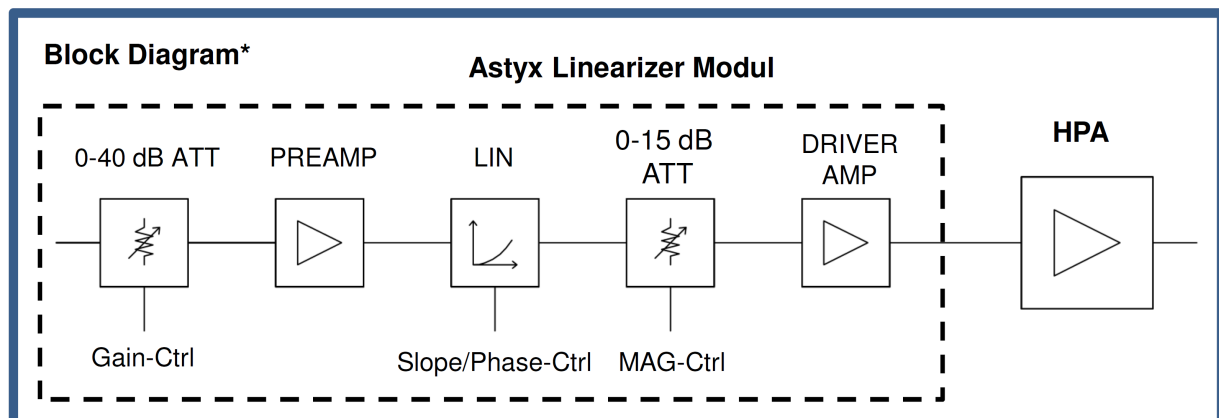
DC Supply	typ. 8 V
Frequency band	7.9 – 8.4 GHz
Output power	up to 21 dBm
Gain*	up to 41 dB
Attenuation range*	typ. 0 – 40 dB
Temperature range	-10 °C - 85 °C

### Contact

ASTYX GmbH  
Lise-Meitner-Str. 2a  
85521 Ottobrunn, Germany  
[www.astyx.de](http://www.astyx.de) / [info@astyx.de](mailto:info@astyx.de)

### For North America

ASTYX Inc.  
116 W. Illinois Street, Suite 3-E  
Chicago, IL 60654, USA  
[www.astyx.net](http://www.astyx.net) / [info@astyx.net](mailto:info@astyx.net)



\* depending on the linearizer configuration